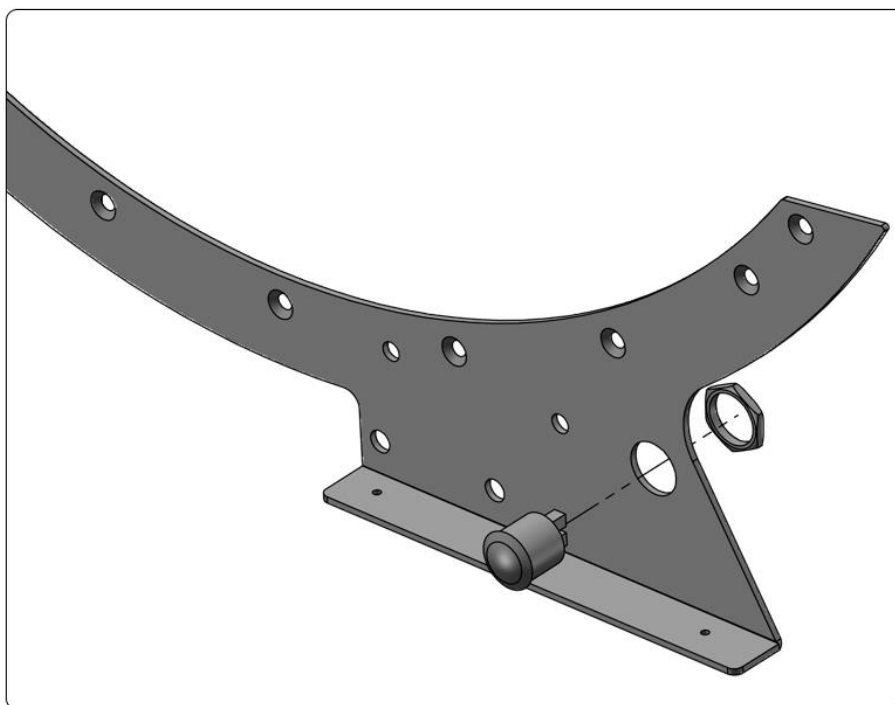


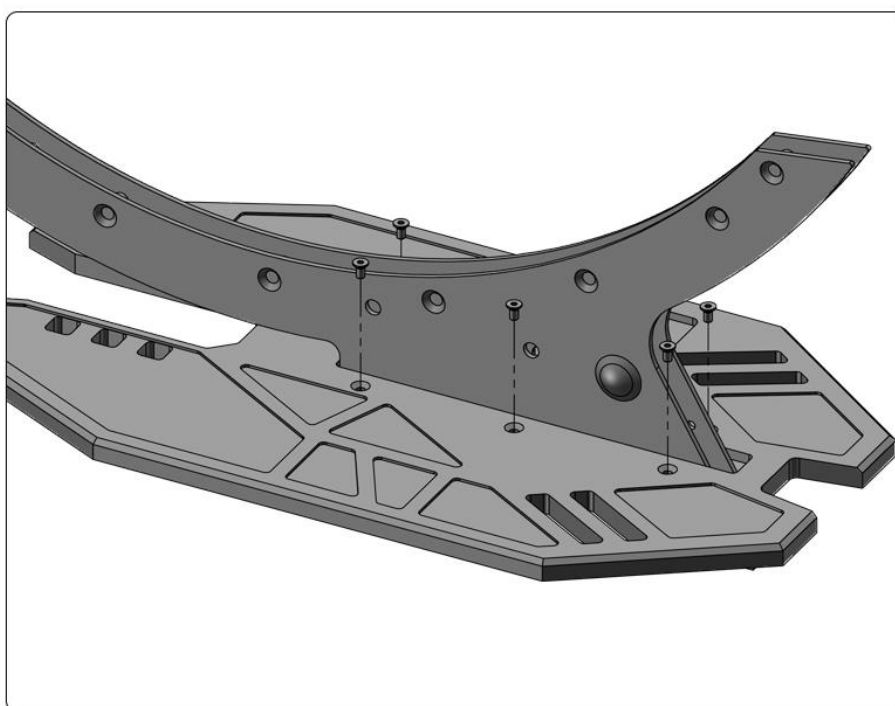
Install the tutorial of (Barrowch STAR1 series circular water cooling case (Limited edition))

Install tutorial

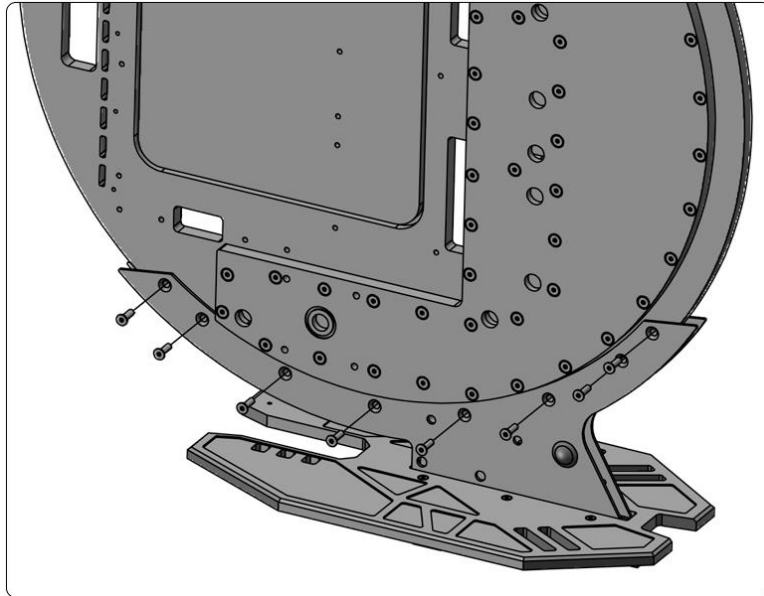
安装说明



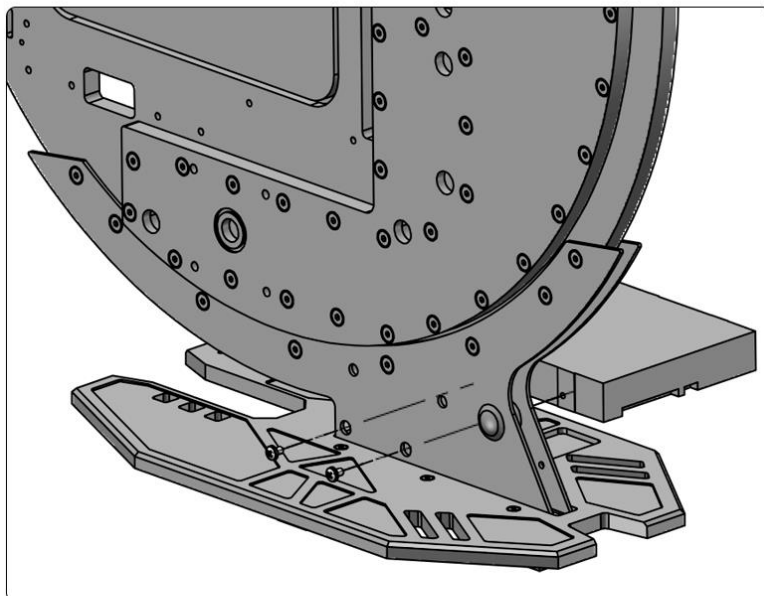
1. Install the switch key on the case bracket



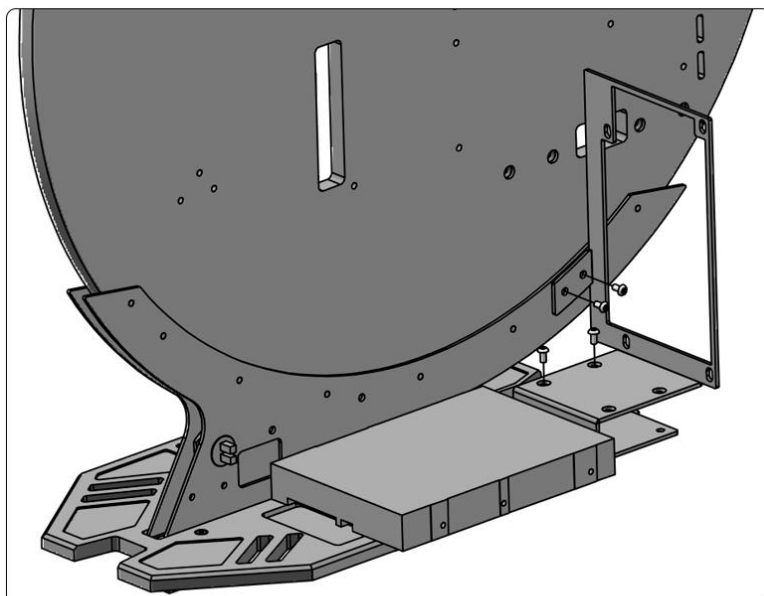
2. Fix the bracket and the base with screws



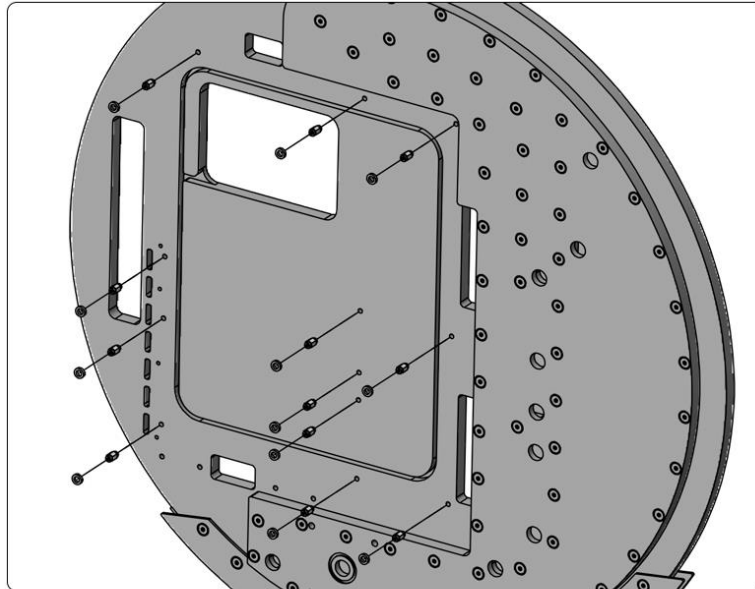
3. Fix the main body of the case



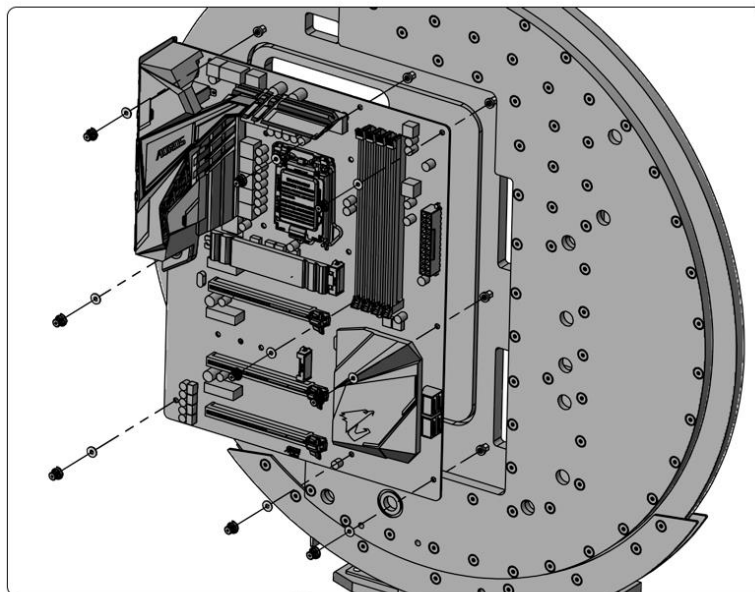
4. Install mechanical hard disk (when required)



5. Fix the power support

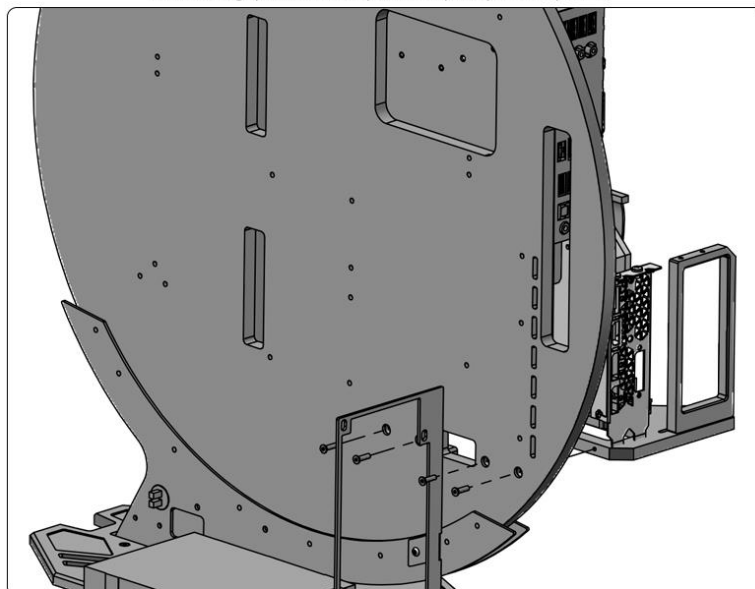


6. Install the fixed copper column for the main board and ABS gasket

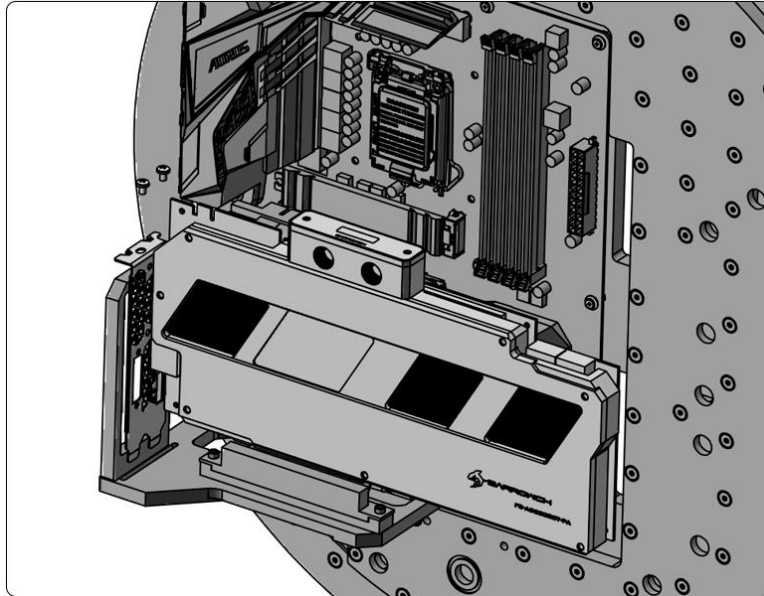


7-1. Fix the main board

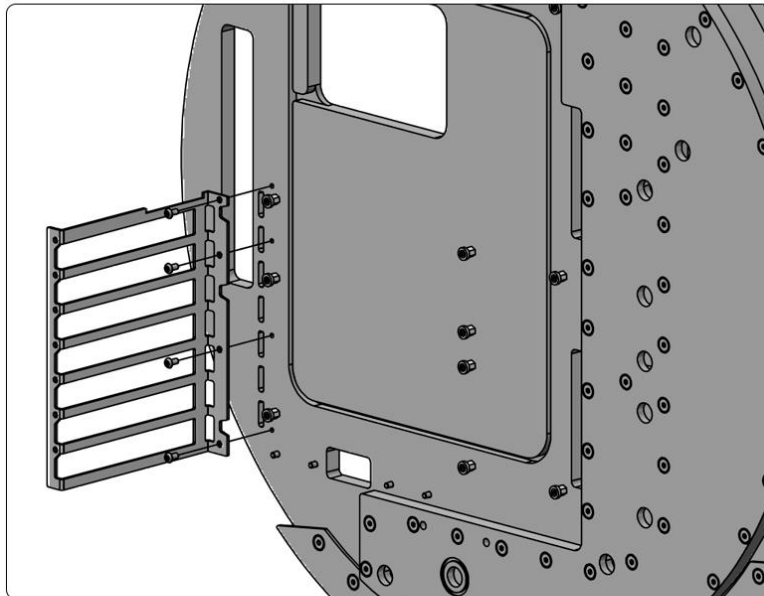
(The installation steps of 7- * and 8- * are two installation methods of graphics card, and the installation module FBACEXL-02 of graphics card shall be purchased separately for the step of 7- *)



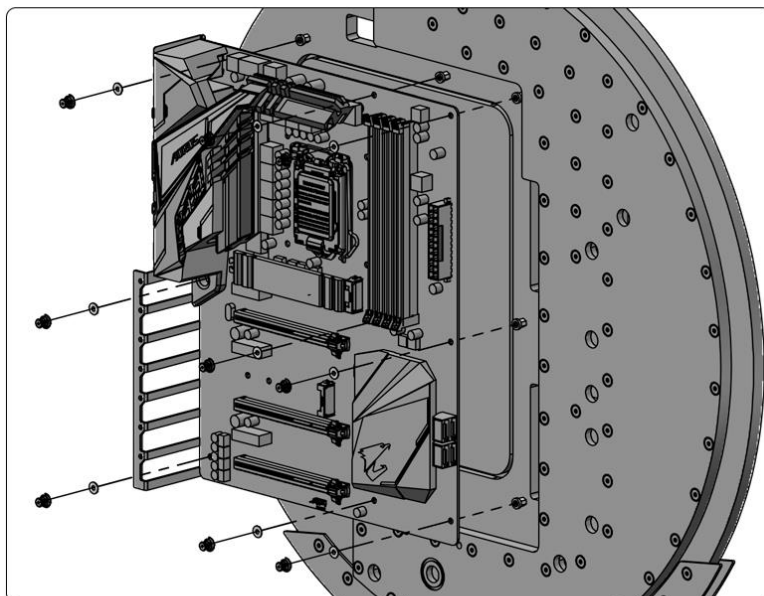
7-2. Fix the vertical module for graphics card



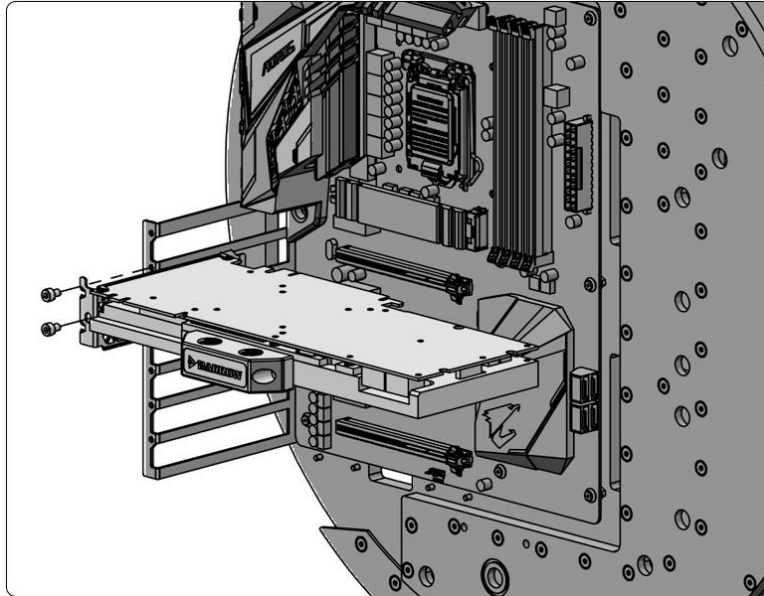
7-3. Fix the graphics card



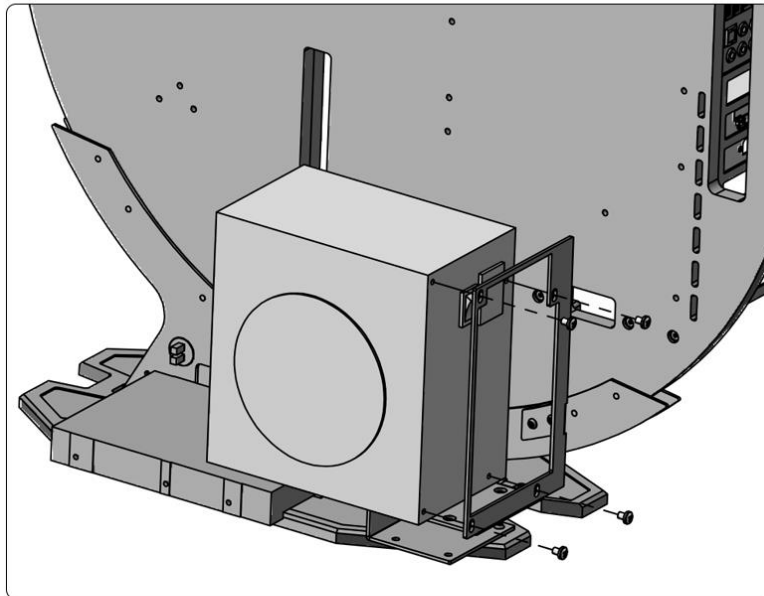
8-1. Fix the graphics card holder



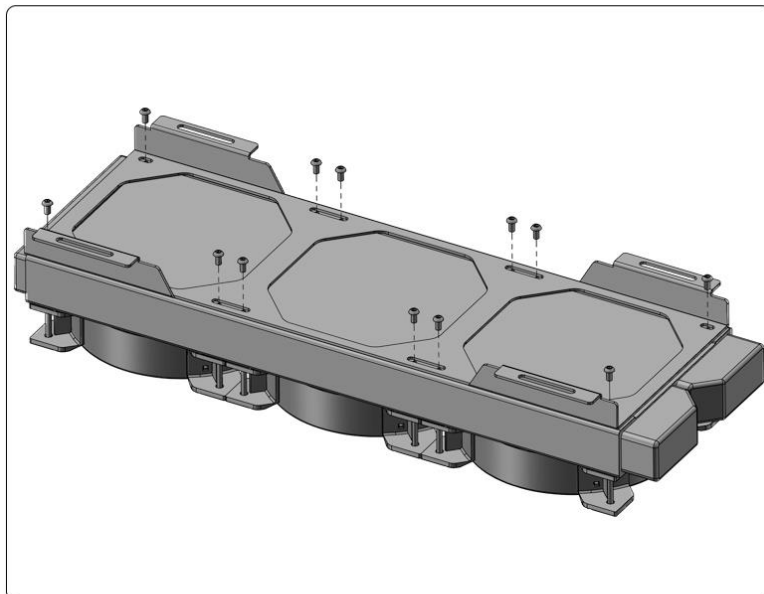
8-2. Fix the main board



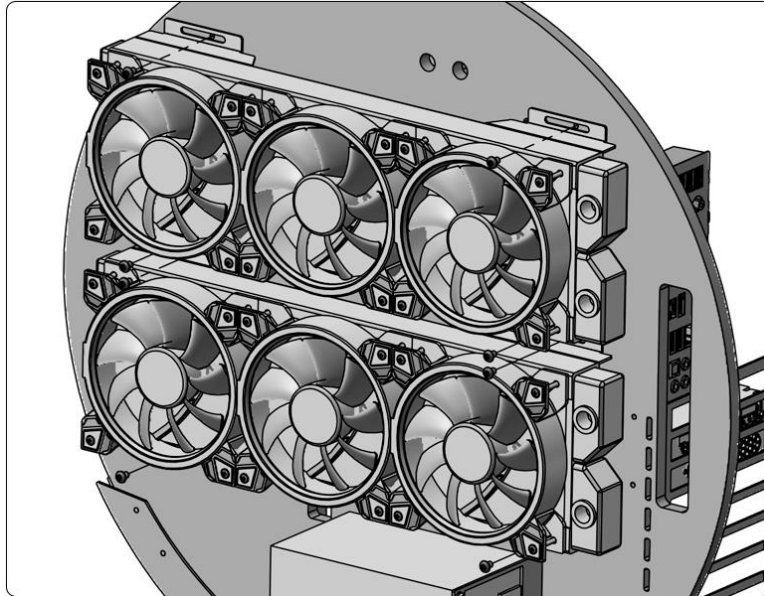
8-3. Fix the graphics card



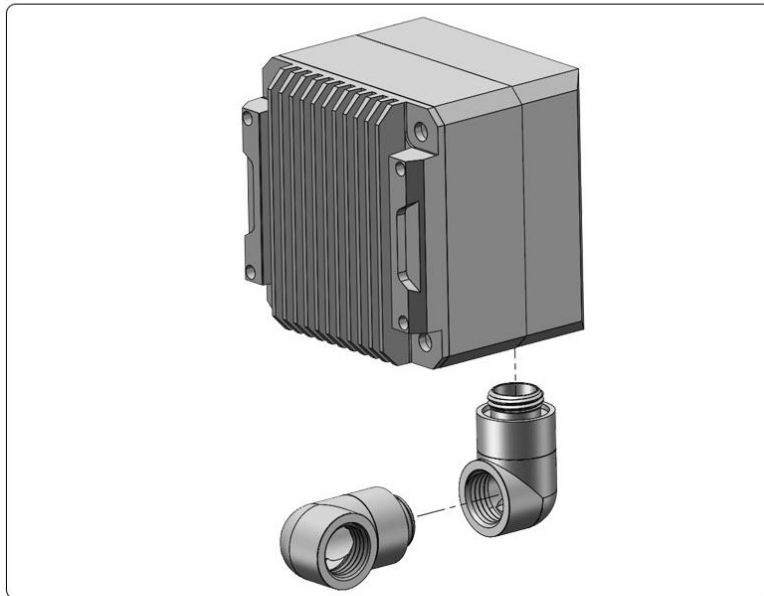
9. Fix the power supply



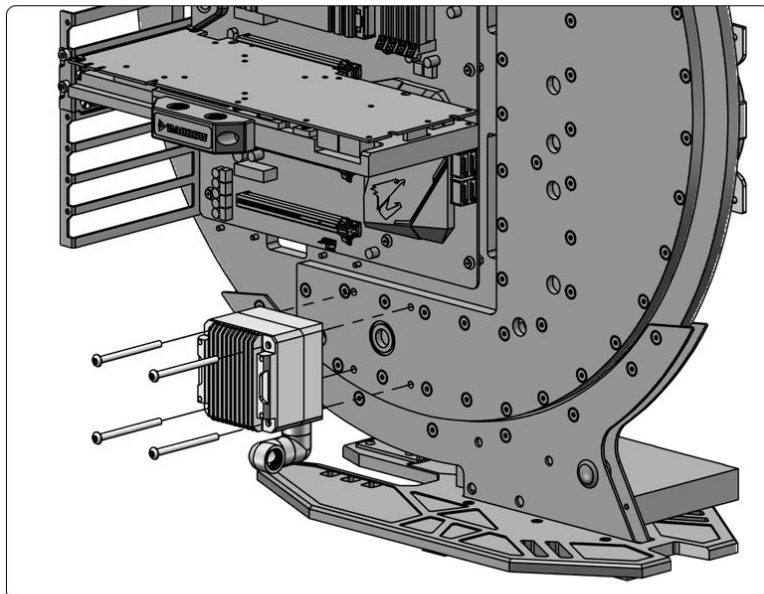
10. Fix the radiator and its bracket



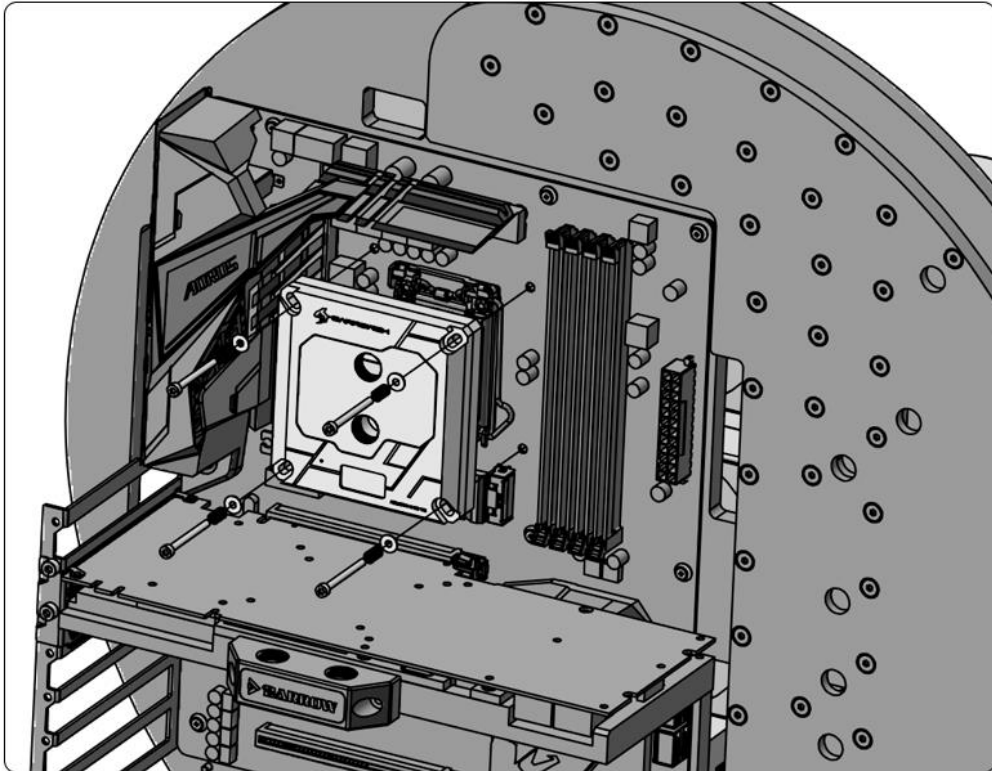
11. Fix the radiator bracket on the case



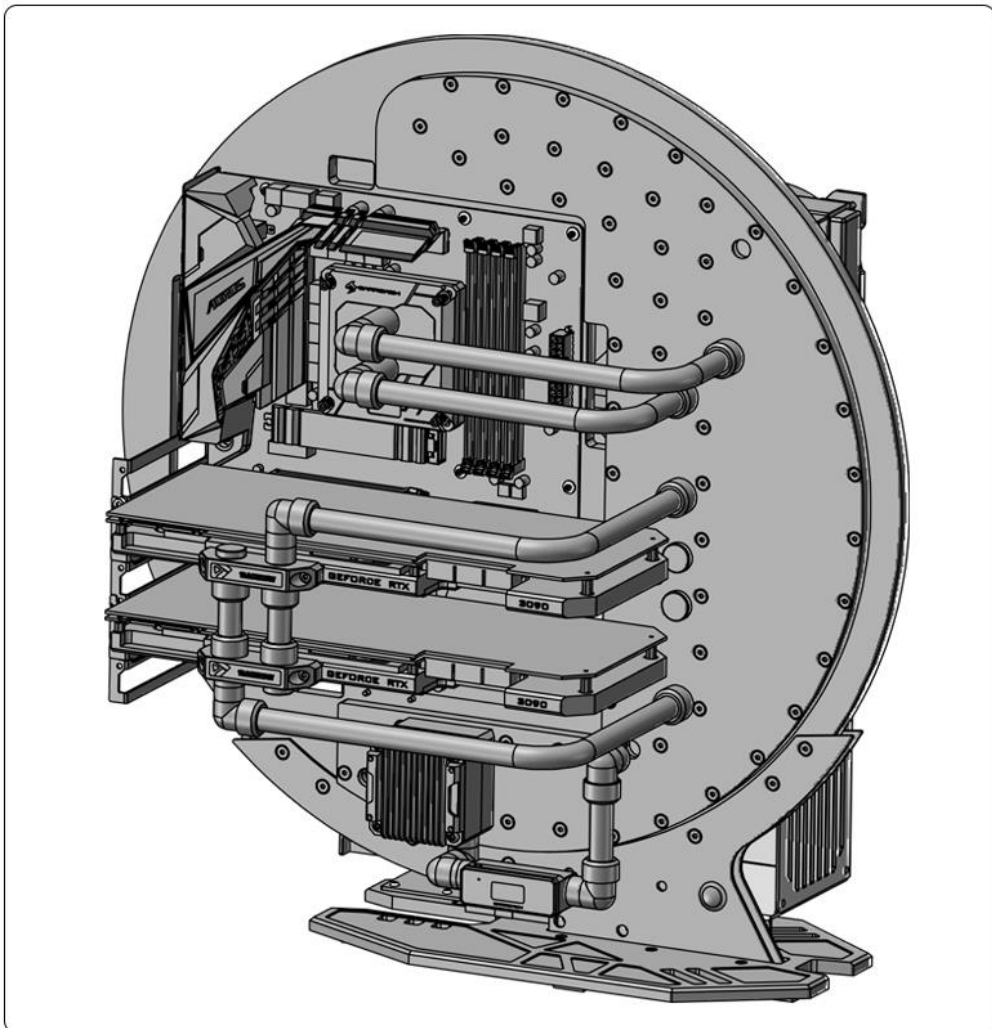
12. Install the joint of the water pump



13. Fix the water pump



14. Install CPU water block



15. The installation is complete